



306 Second St., Annapolis, MD 21403  
 nic@msi-1.com (410) 263-1496  
 1250 East Main Rd, Portsmouth, RI 02780  
 dick@msi-1.com (401) 682-2244

## TRAVEL 503/1003 –

### key features:

- can do everything that a 1.5/ 3 HP gasoline outboard can, plus it's environmentally friendlier, quieter, lighter and more convenient
- completely waterproof (IP 67)
- on-board computer with GPS-based calculation of remaining range
- solar rechargeable – including during the voyage
- can be easily dismantled for transport and space-saving storage
- a clean affair: no matter how or where you store your Travel, there's no risk that anything will leak out or smell

### TRAVEL 503 with integrated battery (29.6 V / 11 Ah)

Tenders, dinghies, daysailers up to 1,654 lbs

	Speed in knots	Range in nm	Run time in hours
<b>Slow speed</b>	1.5 - 2.0	9.6 - 12.8	6:20
<b>Half throttle</b>	2.5 - 3.0	5.3 - 6.4	2:08
<b>Full throttle</b>	3.6 - 4.0	2.6 - 2.8	0:42

### TRAVEL 1003 with integrated battery (29.6 V / 18 Ah)

Tenders, dinghies, daysailers up to 1.5 tons

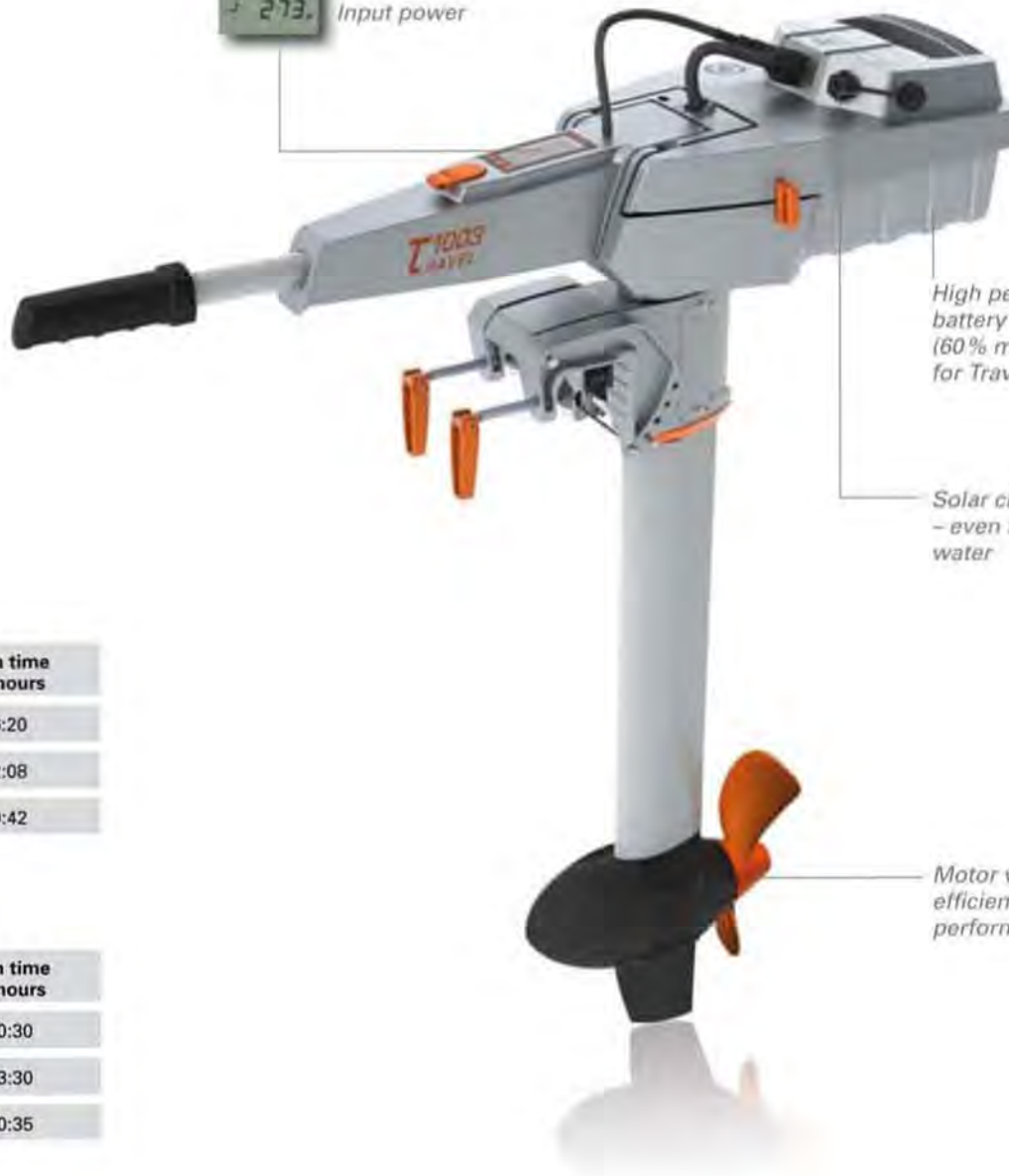
	Speed in knots	Range in nm	Run time in hours
<b>Slow speed</b>	1.5 - 2.0	15.0 - 20.0	10:30
<b>Half throttle</b>	2.5 - 3.0	8.5 - 10.5	3:30
<b>Full throttle</b>	4.5 - 5.0	2.5 - 2.8	0:35

Throttle display – provides information about:



- 85% Battery charge status
- 113 Remaining range
- 4.5 Speed over ground
- 273 Input power

Audible alarm countdown: as soon as the remaining battery charge reaches 30%, 20% and 10% a warning signal is given



High performance lithium battery with integrated GPS (60% more battery capacity for Travel 1003)

Solar charging possible – even underway on the water

Motor with highest efficiency for superior performance and range